



*Home is...*

where we keep  
our most precious  
possessions.

Protect your family and  
your home against window  
condensation by choosing  
**Health Smart Windows®**  
made with **Super Spacer®**  
high performance glass.



# The Problem

Many of today's energy efficient windows offer glass packages with "warm edge technology." The problem is that highly conductive metal-based insulating glass spacers are often used in these new windows.

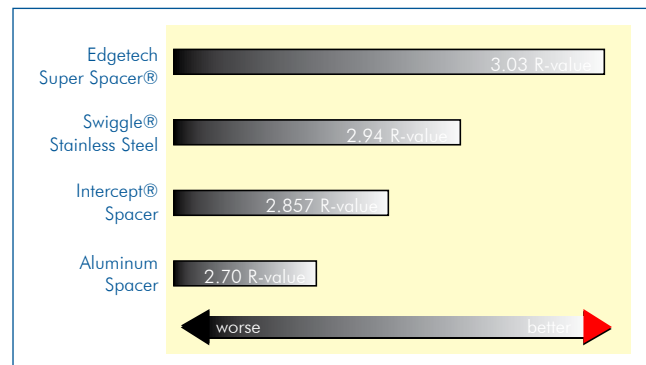
A new window can lose up to 50% of its overall stated R-value with a metal-based spacer at the edge of the glass. R stands for the "resistance" of the transfer of heat or cold through a solid object. So, a higher R-value means better insulation against heating and cooling loss.

The edge of the insulating glass is the most vulnerable to heating and cooling loss. This usually leads to condensation. It's a problem that looks unsightly, and over time, it will stain wood, peel paint and rot frames.

Not only that, but window condensation can contribute to mold growth, a sinister presence hidden from sight deep inside window and wall openings.

In fact, visible mold can often be found in poorly insulated or installed windows. Mold is more and more being linked to child asthma plus increases in general respiratory illness, allergies and outbreaks of fungal diseases.

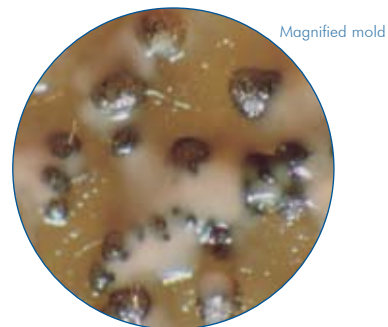
## Condensation can contribute to mold growth.



Computer simulations conducted by Enermodal Engineering, a certified independent third party testing facility. Super Spacer® is a registered trademark of Edgetech IG Inc. Swiggle® is a registered trademark of TruSeal. Intercept® is a registered trademark of PPG Industries, Inc.



Window condensation can fuel mold growth.



Children's health problems are often linked to indoor mold.

# The Solution

Keep moisture off the glass with the warmest inside surface temperatures possible.

The primary window condensation culprit is its insulating glass spacer. Traditional metal spacers can conduct heat and cold—causing condensation at the edge of the glass.

Convection currents further concentrate cold air along the bottom edge of glass making that area the most vulnerable.

Only a warmer edge all the way around will strike at the heart of the problem.

The world's only TrueWARM® edge occurs with Super Spacer®, an insulating foam spacer whose use helps reduce condensation and allows for comfortable household humidity levels. That's the Health Smart Windows® advantage.



Ask for Health Smart Windows for your next window purchase.

## Keep moisture off the glass.



### Full Metal Spacer

With conventional metal spacers, condensation is a fact of life.



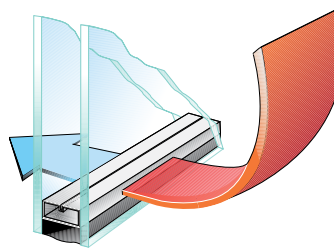
### Less Metal Spacer

Mid-performance spacer systems that contain some metal improve condensation resistance.

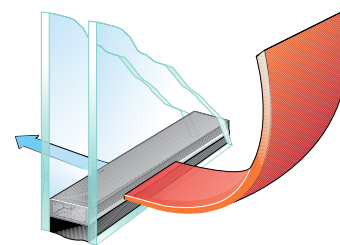


### NO-Metal Super Spacer

Patented all-foam design dramatically reduces condensation, delivering the clearest picture in Warm Edge Technology.



Full metal spacer



NO-Metal Super Spacer

### Take the ice water challenge!

Fill a Thermos with either cold or hot liquid, then insert Super Spacer and metal spacer samples.

See for yourself the conductive differences between NO-Metal Super Spacer and metal-based spacers.

The TrueWARM advantage is obvious!



# The Product

Warm edge technology is more than just a low-conductive product that helps make windows more thermally efficient. The warm edge spacer is the actual seal that keeps the glass package in windows from failing.

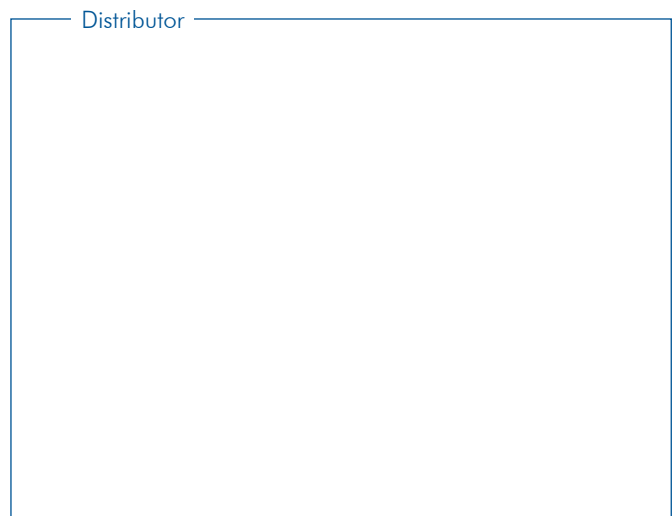
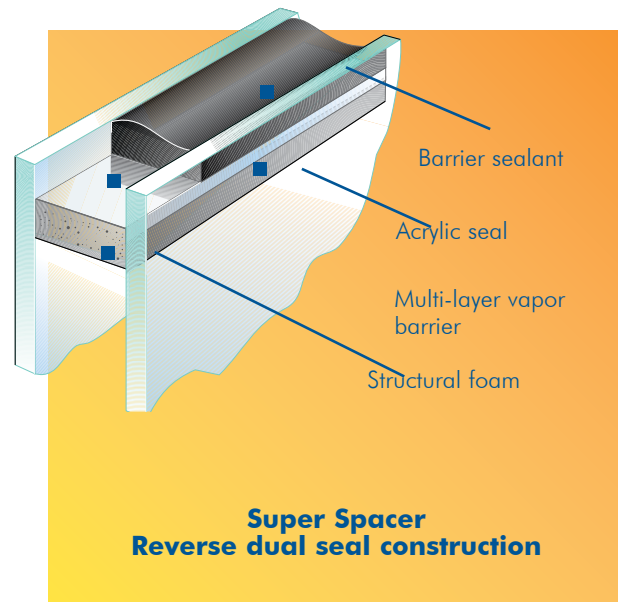
There are two types of insulating glass systems on the market today: single seal and dual seal systems. Single seal units are constructed of only one type of sealant, which is called upon to perform double-duty. Not only must the sealant retard the infiltration of moisture vapor, but it must also hold the unit together under a wide variety of both high and low temperatures while withstanding the effects of high humidity and ultraviolet exposure.

A dual-seal unit is constructed using a combination of a sealant that functions mainly as a high-strength adhesive and a second sealant, which is used primarily as a moisture vapor seal.

Super Spacer® is a dual seal insulating glass system. This NO-Metal, structural foam spacer clearly resists condensation, reduces energy costs, provides long-life durability and adds both comfort and value to your windows.

Protect your most precious possessions—choose Health Smart Windows for your home and family.

**Super Spacer... the winning choice for the industry's most durable insulating glass units.**



*Super Spacer*®

[www.superspacer.com](http://www.superspacer.com)

**Edgetech**

We're there for you at every turn! 3:0